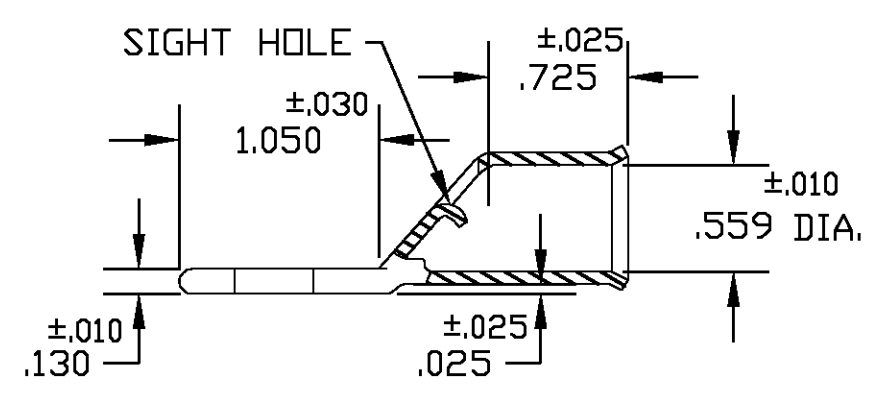
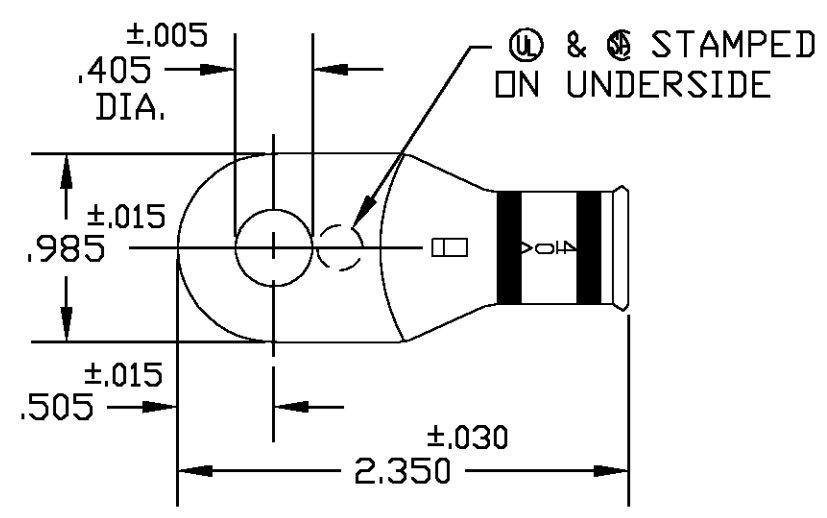


THIS DRAWING IS UNPUBLISHED. RELEASED FOR PUBLICATION  
 © COPYRIGHT BY TYCO ELECTRONICS CORPORATION. ALL RIGHTS RESERVED.

LOC	DIST	REVISIONS					
		P	LTR	DESCRIPTION	DATE	DWN	APVD
G	50		A	REV PER 0G3H-0088-04	30MAR04	JR	MS



COLOR CODED PURPLE

ACTIVE	40381-60	STANDARD	COLOR CODED	1527165-3
STATUS	AET P/N	PACKAGING	FINISH	PART NUMBER

THIS DRAWING IS A CONTROLLED DOCUMENT.		DWN D.A.A 11/2/00	Tyco Electronics Corporation Harrisburg, PA 17105-3608		
DIMENSIONS: INCHES		CHK H.D.F 11/2/00			
		APVD H.D.F 11/2/00	PRODUCT SPEC		
MATERIAL COPPER ASTM B-152		FINISH	APPLICATION SPEC		
TOLERANCES UNLESS OTHERWISE SPECIFIED:		WEIGHT	RESTRICTED TO		
0 PLC	± -	-	SIZE	CAGE CODE	DRAWING NO
1 PLC	± -	-	A3	00779	C-1527165
2 PLC	± -	-	CUSTOMER DRAWING		
3 PLC	± -	-	SCALE	SHEET	OF
4 PLC	± -	-	1:1	1	1
ANGLES	± -	-	REV A		